

Self-tapping  
Screw (5x12): 15 Pcs

Left Side: 1Pc

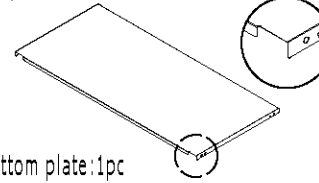
Right Side: 1Pc

Door Frame: 1Pc

Back Plate: 1Pc

Top Plate: 1Pc

Shelf: 4Pc



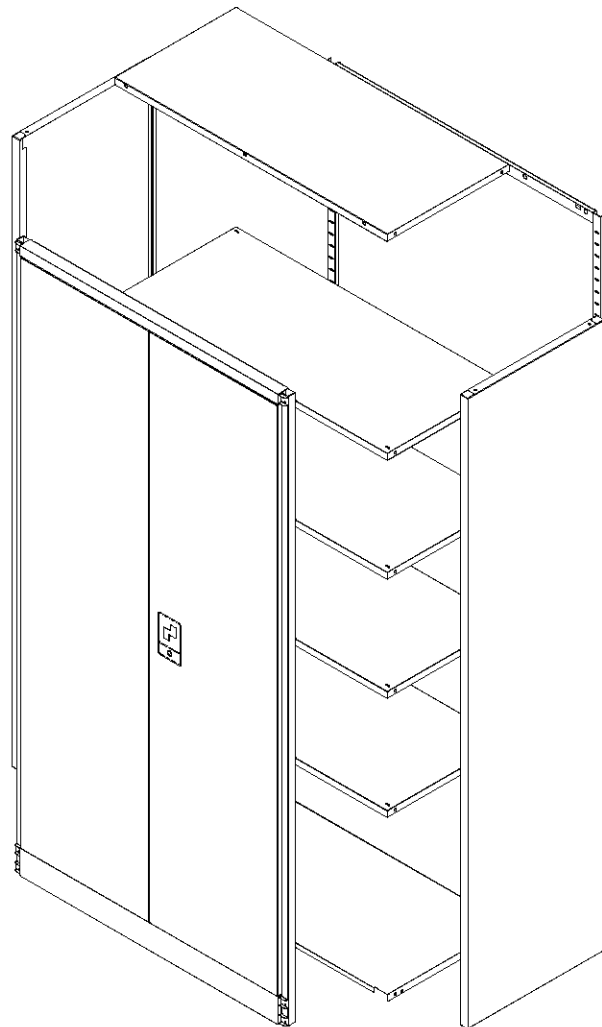
Bottom plate: 1pc



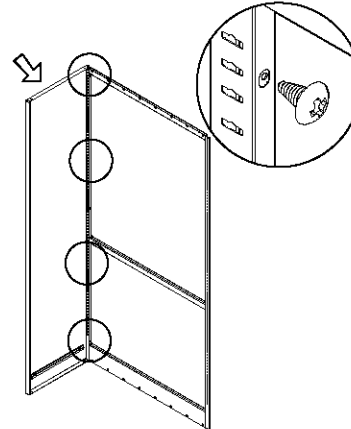
Shelf Holder: 16pcs



Key: 1 Set

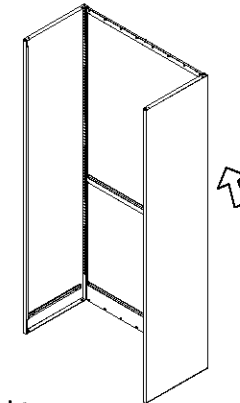


①



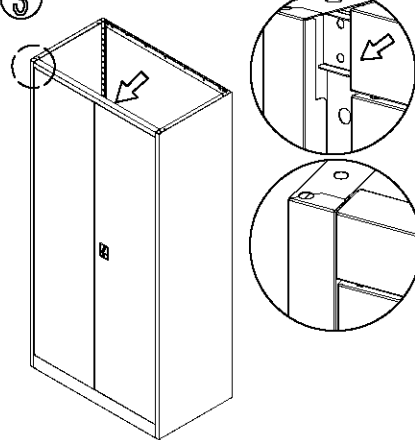
Bolt the left side and back plate with self-tapping screws (5x12)

②



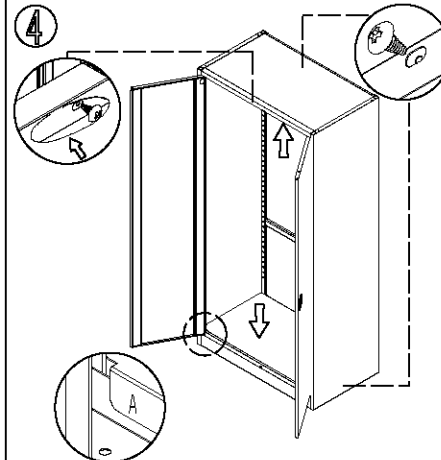
Bolt the right plate and back plate in the same way as the first step

③



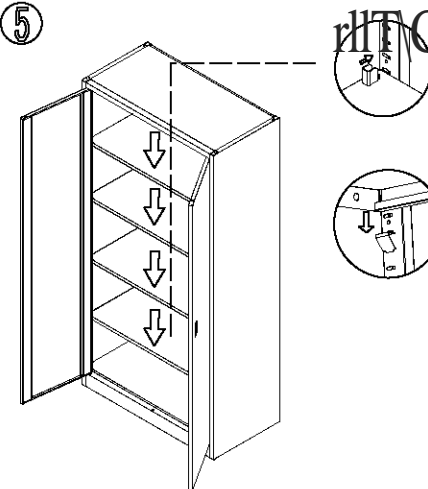
Fix the door frame onto both of the side plates

④



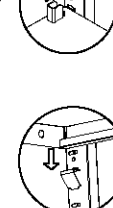
Install the top and bottom plate respectively

⑤



Install the shelves.

⑥



Adjust each parts till fit well after installation